

Specifications

- High reliability design
- 5 LBF range
- Medical device applications
- 20 mm standard diameter
- 4-color rubber wire (optional terminal)

Features

- Low cost, high cost performance
- Small size, compact design
- Low Power Consumption
- High Over Range Capability
- Fast response
- Low disturbance
- mV Outputs: 20mV/V

Application

- Medical Infusion Pumps
- Fitness & Exercise Equipment
- Payload Weighing
- Power Tools
- Robotics
- Surgical & Dental Tools
- Battery Powered Devices
- Manufacturing Equipment

Standard compression force specification

Range (LBF)	Range (Newtonian force)	Range (KGL)
0 to 5	0 to 20	0 to 2

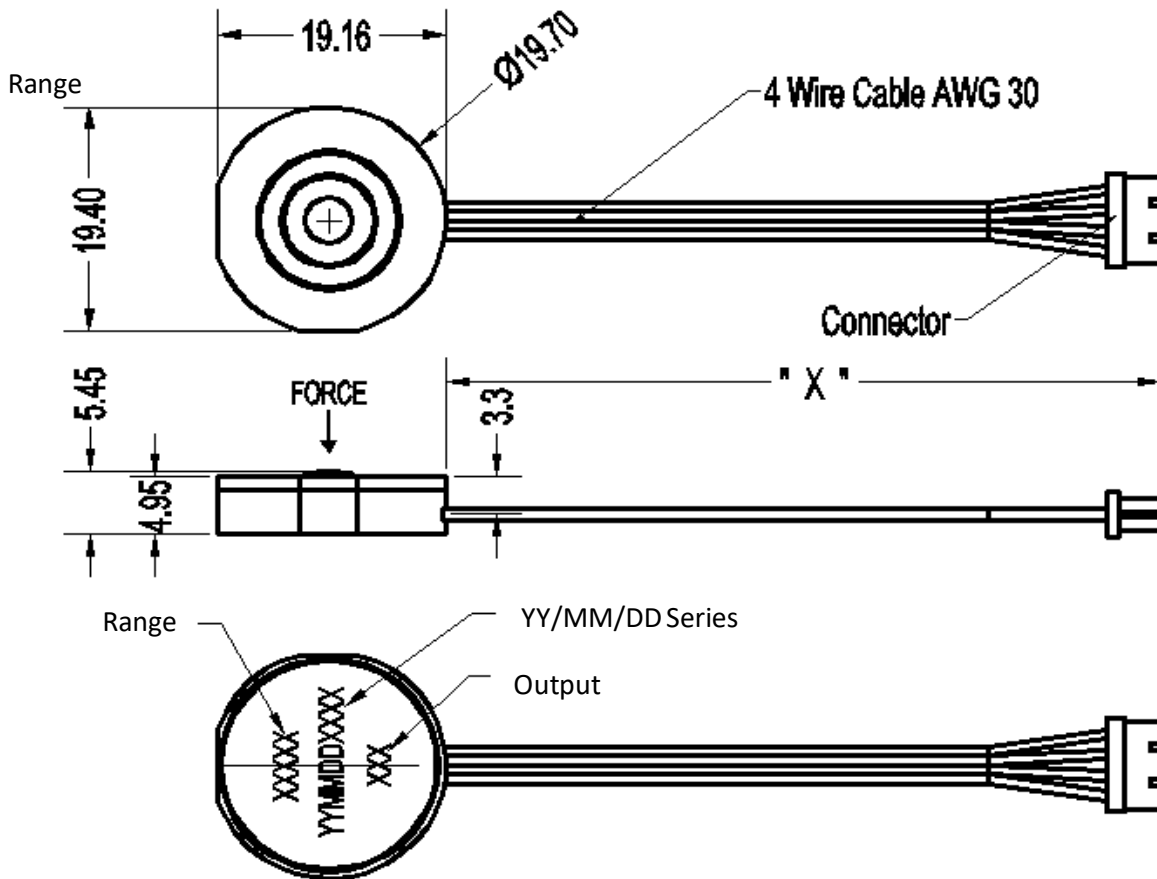
Performance specifications

Supply voltage: 5.0V, ambient temperature: 25 ° C (test conditions, unless otherwise specified)

parameter	MIN	TYP	MAX	UNITS	NOTES
Supply voltage	1	5	6	V	mV Output
	4.75	5	5.25		0.5~4.5V Output
Isolation, Body to any Lead	100			MΩ	@250VDC
Dielectric Strength			5	mA	@500VAC, 1min
Input Resistance	2	2.5	3	KΩ	
Output Resistance	1.5	2	2.5	KΩ	
Pressure Cycles	1X10 ⁶				0~FS Cycles
Zero Offset	-4		4	mV	mV Output
	0.4	0.5	0.6	VDC	0.5~4.5V Output
Full scale span	18	20	22	mV/V	mV Output
	4.4	4.5	4.6	VDC	0.5~4.5V Output

Linearity,	-1	±0.5	1	%F.S	BFSL
Non-linearity	-0.8		0.8	%F.S	
Hysteresis	-0.8		0.8	%F.S	
Zero temperature drift	-0.1		0.05	%F.S/°C	"@25°C,Range of
Zero temperature drift	-0.1		0.05	%F.S/°C	Compensated Temp
Current Consumption			3	mA	0.5~4.5V Output
Response Time		2		ms	from 10% to 90%
Bandwidth	DC to 1KHz (typical)				
Media compatibility	17-4PH and 304L Stainless Steel				
Weight			6.5	grams	Body without wire
Cycle life	1X10 ⁶				Full Range
Compensated temperature	0		50	°C	
Storage temperature	-40		80	°C	
Ambient humidity	0		85	%RH	
Weather-proof rating		53		IP	
EMI/RFI/ESD	IEC61000-4-2 (8kVair/4kVcontact)				mV Output
	IEC61000-4-3 (3V/m)				
	IEC55032 Class A				

DIMENSIONS [mm]

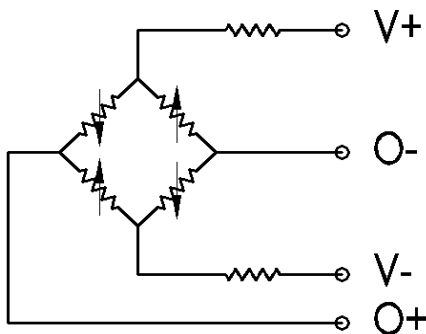


WIRING

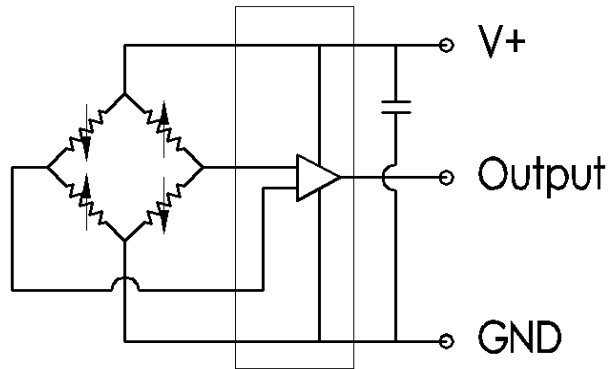
mV Output			
Red	Yellow	Black	White
1	2	3	4
Supply+	Output+	Supply-	Output-

0.5~4.5V Output			
Red	Yellow	Black	White
1	2	3	4
Supply+	Output+	Supply-	NC

mV Output



0.5~4.5V Output



Ordering

FC20L I 100 C 02 K

Model	FC20L
-------	-------

Units	
L	LBF
N	N
K	Kg

Output	
I	mV
II	0.5~4.5V

Range		
0005	020	02

Wire Length (mm)	
050	50
100	100
XXX	Customer Special

Wire	
N	Body without wire
W	NO connector
C	With connector

Ordering Sample:FC20L I 100C02K